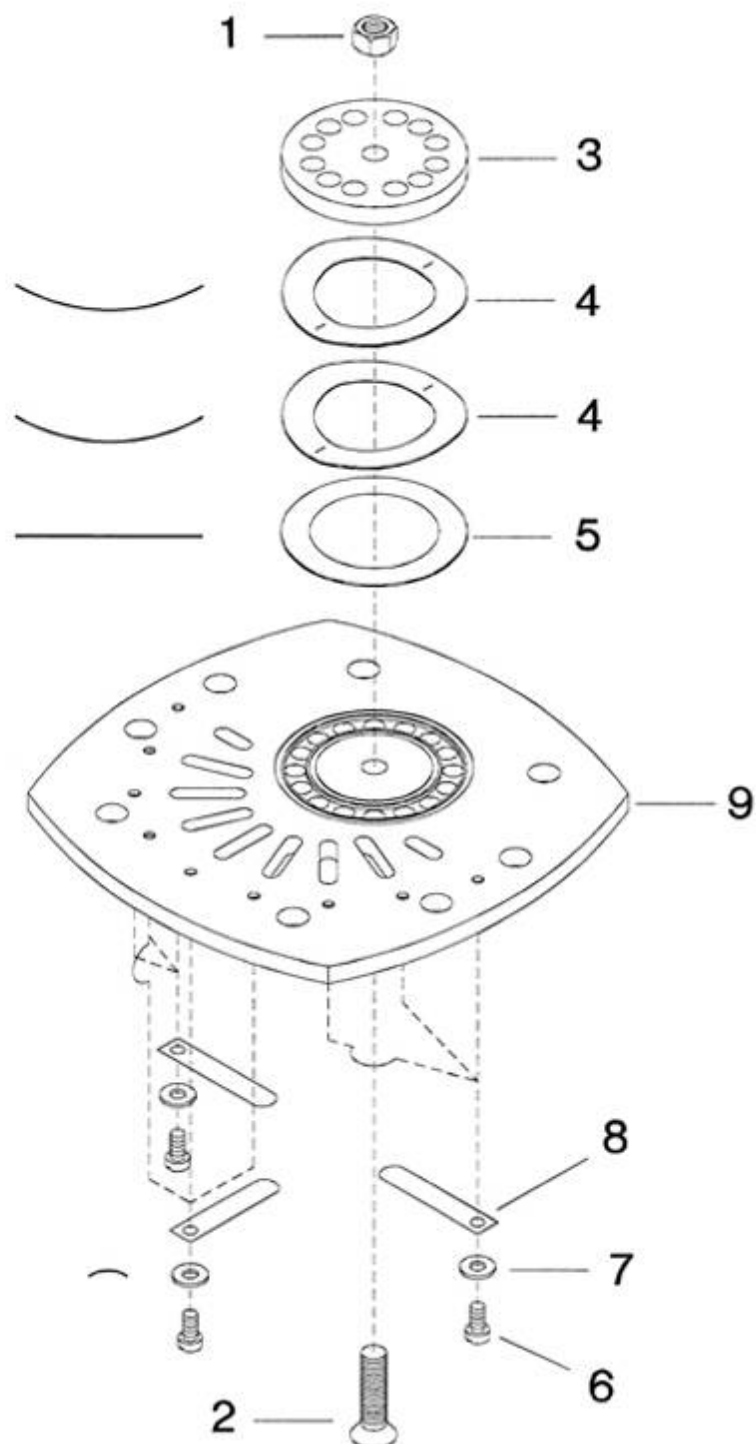


4. First Stage Valve Plate Assembly - Model 7100



All manufacturer's names, numbers, photos, product description and/or part numbers are used for reference purposes only & it is not implied that any part listed is the product of these manufacturers. Since Approvement are made from time to time, the illustration and specifications are subject to change without notice.

4. First Stage Valve Plate Assembly - Model 7100

REF. NO.	PART NO.	DESCRIPTION	QTY.	SPARES		
				1	2	3
REF.	32228330	ASS'Y, FIRST STAGE VALVE PLATE (SEE 2-34)	1		1	2
4-1	97166946	• NUT, WHIZ-LOCK - 7/16-14 HEX	1	1	2	2
4-2	32223927	• BOLT, VALVE	1	1	2	2
4-3	32228314	• PLATE, STOP - DISCHARGE	1			
4-4	30221501	• SPRING, VALVE - DISCHARGE	2	2	4	4
4-5	30181499	• PLATE, VALVE - DISCHARGE	1	1	2	2
4-6	32035511	• SCREW, FILLISTER HEAD - 1/4-20 X 3/8"	9	9	9	18
4-7	32217382	• WASHER, BELLEVILLE - 1/4"	9	9	9	18
4-8	30220115	• VALVE, FINGER	9	9	9	18
4-9	32228249	• PLATE, VALVE SEAT	1			

All manufacturer's names, numbers, photos, product description and/or part numbers are used for reference purposes only & it is not implied that any part listed is the product of these manufacturers. Since improvement are made from time to time, the illustration and specifications are subject to change without notice.